

# Technical Specification

## JMS-6-MEC

### Overview

Power	415V Electric
Variable Speed Drive	37kW 3 Phase VSD
Mobility	4 x Castor Wheels (1.8T Capacity Each) Plus: 4 x Lifting Lugs, 4 x Rigging Mounts
Fabrication	3mm & 5mm Mild Steel International Two Pack Paint
Air Intake Ø	1 x 600mm Ø

### Filter Technical Data

Air Volume	6m <sup>3</sup> /s
Number of High Efficiency Filters	12
Filter Cleaning Efficiency	99.99% at 0.067 micron
Total Filter Surface Area	252m <sup>2</sup>
Filter Temperature Limit	82°C (179.6°F)
Method of Changing Filters	Via 2 Filter Doors
Estimate Filter Change Time	Two Technicians x 1hr

### Centrifugal Fan

Maximum Pressure Drop Across Filters	-2.5kPa *
Electric Motor	37kW-2P
Hydraulic Motor	4kW
Variable Air Flow Control	Yes
Fan Silencer	Yes
Exhaust Outlet Ø	600mm Ø

### Reverse Pulse Cleaning System

Reverse Pulse Cleaning Solenoids	4
Filter Pulse Cleaning System	Plant Air Receiver Tank (180L) and Attachment Kit
Adjustable Pressure & Frequency Rate	Yes
Auto Drains	Yes

### Discharge System

Main Screw Conveyor Auger	1
Incline Screw Conveyor Auger	1 - With Swivel Connection Option: Front / Side Incline Auger
Stainless Steel Rotary Valves	1



### Instrumentation

PLC	Yes
HMI	7" Touch Button Display Option: 12" Touch Screen Display
Control System	CANBus
Static & Differential Pressure Gauges	Yes
Velocity Probe	Yes
Emissions Monitoring Probe	Yes – 24V

### Electrical System and Wiring

Single Cubicle for Power Distribution and Control	Yes
Complies to AU / NZ / EU / CE Standards	Yes
Double Door Enclosure	800x800x300 IP 65 1.5mm
Receptacle	150 AMP
Starter and Protection	1 x 37kW VFD
Control Wiring and Relays	24VDC

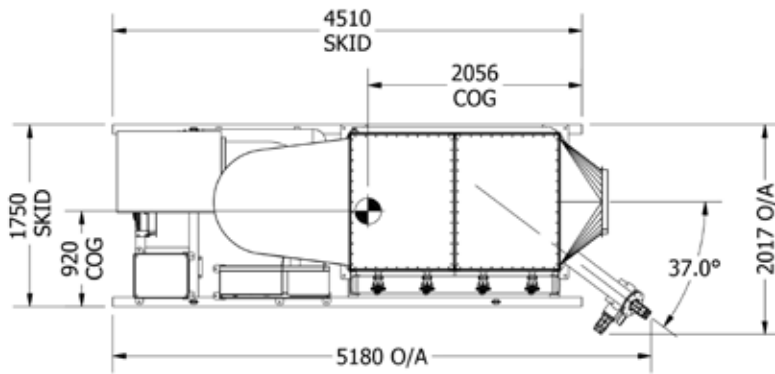
### Safety Features

Risk Assessment	Available on Request
Isolator	Mains Isolator
Emergency Stops	2
Operation & Maintenance	Yes
Amber Rotating Beacons	2

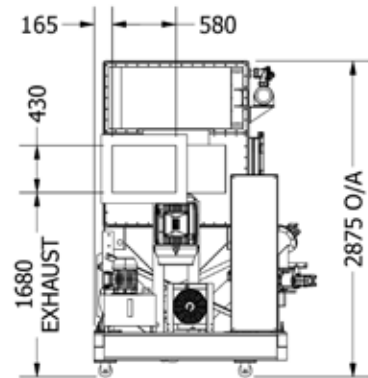
\* Alternative centrifugal fans can be utilised to optimise air volume and pressure to suit site conditions and specific applications.

# Technical Specification

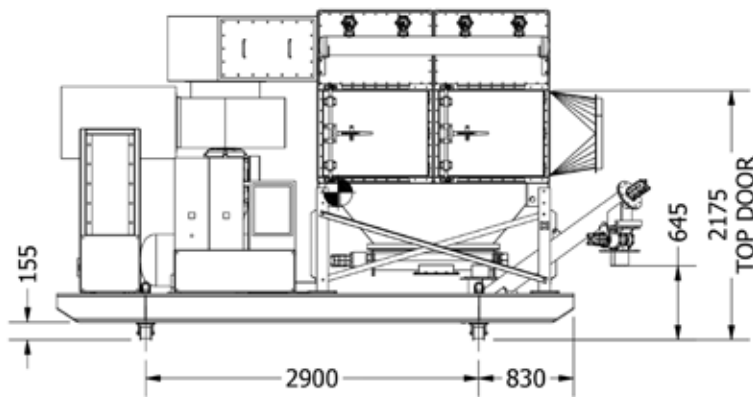
## JMS-6-MEC



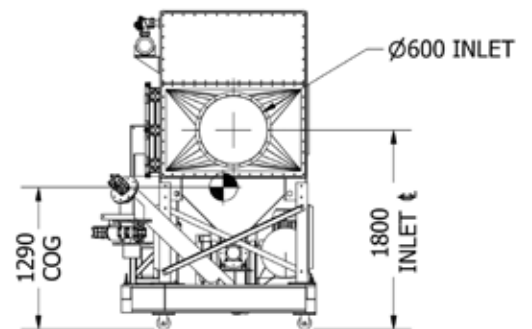
TOP VIEW



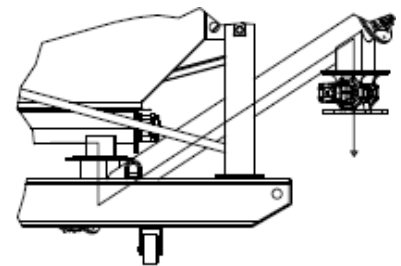
LEFT VIEW



FRONT VIEW



RIGHT VIEW



DUST DISCHARGE SYSTEM

### Key Dimensions

Maximum Height	2875mm
Maximum Width	1750mm (skid) 2017mm (with rear discharge auger)
Maximum Length	5180mm (with rear side discharge auger) 5645mm (with rear discharge auger)
Mass	4.5T

### JMS 6 M-Series. Product Range

6m<sup>3</sup>/s air volume, available as:

- **JMS-6-MES** - mobile, electric, skid dust collector

### Grydale. Experts in Dust Control

Our team have over 15 years' experience designing and manufacturing industrial dust collection and extraction solutions.

We focus on adding value through a total service offering, providing ventilation design, manufacture, implementation, ongoing project management and on-site maintenance and technical support.

**Contact us** for more information.